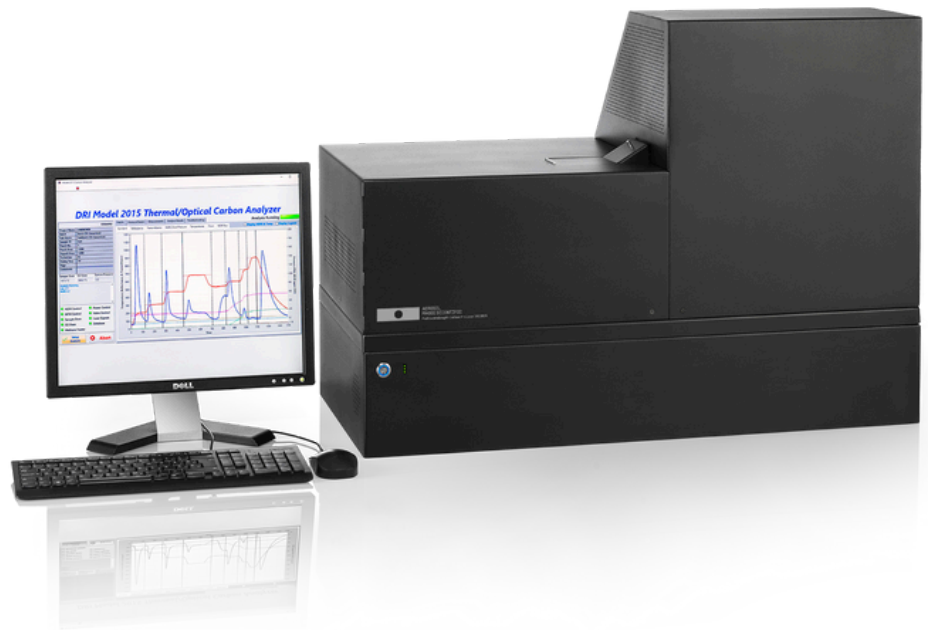




AEROSOL
MAGEE SCIENTIFIC

MULTI-WAVELENGTH THERMAL/OPTICAL CARBON ANALYZER



DRI 2015 series 2

MULTIWAVELENGTH OC/EC
ANALYZER

KEY FEATURES

- Compatible with EUSAAR2, IMPROVE_A, NIOSH 5040 or any other thermal protocol
- Multi-wavelength measurement of transmission (T) and reflectance (R) intensities
- Nondispersive infrared (NDIR) CO₂ detector
- Low helium gas consumption
- Ergonomic engineering

APPLICATIONS

- Air quality and climate change research
- Particulate Matter (PM) speciation trends networks
- PM source apportionment
- Carbonaceous material analysis

PRODUCT SPECIFICATIONS

BASIC DESCRIPTION

The DRI Model 2015 series 2 Multi-Wavelength Thermal/Optical Carbon Analyzer replaces the widely used DRI Model 2001, and DRI Model 2015 systems for quantifying organic carbon (OC), elemental carbon (EC, also termed Black Carbon [BC]), and temperature-separated carbon fractions on aerosol filter deposits.

DRI Model 2015 series 2 features optical monitoring that accounts for OC charring with reflected (R) and transmitted (T) intensities at wavelengths of 405, 445, 532, 635, 780, 808, and 980 nm. The additional optical information can be used to estimate multiwavelength light absorption of the sampled particles, infer the concentration of brown carbon (BrC) in each sample, and further complement the use of carbon fractions in source apportionment studies (Chen et al., 2015; Chow et al., 2015). Model 2015 Series 2 software includes temperature programs for commonly-used protocols such as IMPROVE_A, EUSAAR_2, and NIOSH, and it can be programmed to emulate any other protocol. The simultaneous measurement of both R and T at all wavelengths throughout each analysis allows for reproducing any other thermal/optical method and holds potential for better characterizing additional properties of the carbonaceous aerosol.

MEASUREMENT PRINCIPLE

Thermal/optical carbon analysis is based on the preferential oxidation of OC and EC materials under different temperatures and atmospheres. A ~0.5 cm² punch from a particle-laden quartz fiber filter (or other sample form) is heated in programmed temperature steps. Organic compounds are liberated under a non-oxidizing helium atmosphere at lower temperatures up to 580 °C, while EC is combusted in an oxidizing

atmosphere with 2% O₂ at temperatures up to 840 °C. The liberated carbon is oxidized to carbon dioxide (CO₂) by heated manganese dioxide (MnO₂), and the CO₂ is quantified by an NDIR detector. Seven modulated diode lasers measure the reflectance from, and transmittance through, each filter at wavelengths from 405 to 980 nm.

MAIN TECHNICAL SPECIFICATIONS

Measurement Range: 0.1 to 1000 µg carbon/cm² (depending on carbonaceous composition)

Minimum Detection Limit (MDL):

Total OC: 0.10 µg/cm²

Total EC: 0.08 µg/cm²

Total Carbon: 0.18 µg/cm²

DRI 2015 - SERIES 2

Wavelengths: 405, 445, 532, 635, 780, 808, and 980 nm (operation in both, TOT and TOR mode by default).

Support Gases:

Ultra-high purity (UHP) helium (hydrocarbon free, >99.999% purity)

10% oxygen in UHP helium

5% methane in UHP helium

Compressed air

Data Reporting Interval: 1 second

Software: LABVIEW-Based

ENVIRONMENTAL OPERATING CONDITIONS

Temperature: 10 to 40 °C

Relative Humidity: 30 to 80%, noncondensing

IP protection: IP20

The unit is intended for indoor installations only

OPERATING TEMPERATURES

Sample oven: programmable from 45 to 900 °C with maximum heating rate 250 °C/minute

Oxidation oven: 900 °C

Temperature accuracy: ±5 °C or 1%, whichever is greater

PHYSICAL SPECIFICATIONS

Dimensions: 44 x 92 x 41 cm (17 x 36 x 16 inch)

Weight: 50 kg (110 lbs)

Electrical Power supply: 100-240VAC, 50/60Hz

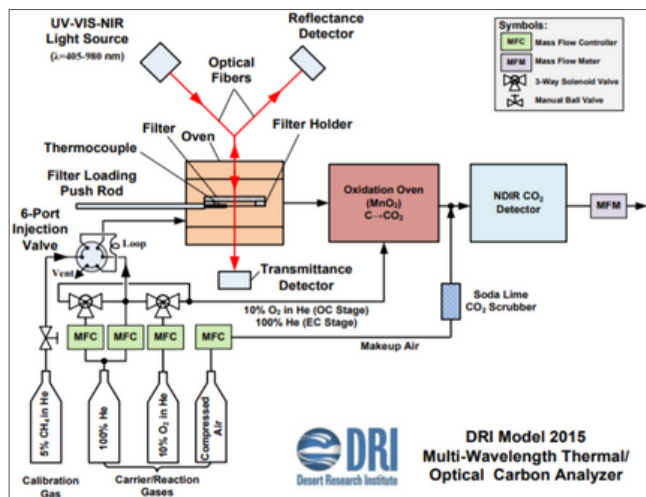
Power consumption: 1000 W maximum

Allowable electrical supply voltage fluctuations: 90 – 264 V~

Degree of protection against electric shock: Class I equipment

Transient overvoltage protection: Overvoltage category II

Pollution degree: 2



Reference:

Chen, L.-W.A.; Chow, J.C.; Wang, X.L.; Robles, J.A.; Sumlin, B.; Lowenthal, D.H.; Watson, J.G. (2014). Multi-wavelength optical measurement to enhance thermal/optical analysis for carbonaceous aerosol. Atmos. Meas. Tech. Discuss., 7:9173-9201. <http://www.atmos-meas-techdiscuss.net/7/9173/2014/amtd-7-9173-2014-print.pdf>

AEROSOLMAGEESCI.COM



Scan for more
information



Australian Sales and Support.

Contact Benchmark Monitoring for more information: Email: sales@benchmarkmonitoring.com.au Website: <http://www.benchmarkmonitoring.com.au/>

Mobile: +(614) 01666077
Office: +(612) 65721028

Address: US / 17 Enterprise Crescent,
McDougalls Hill NSW 2330 Australia